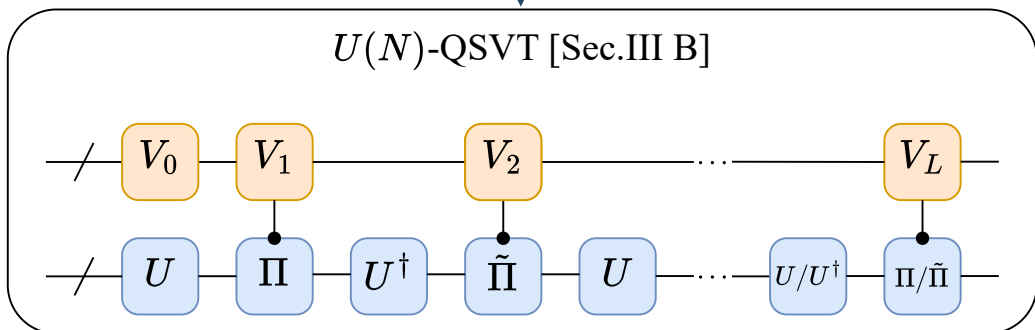
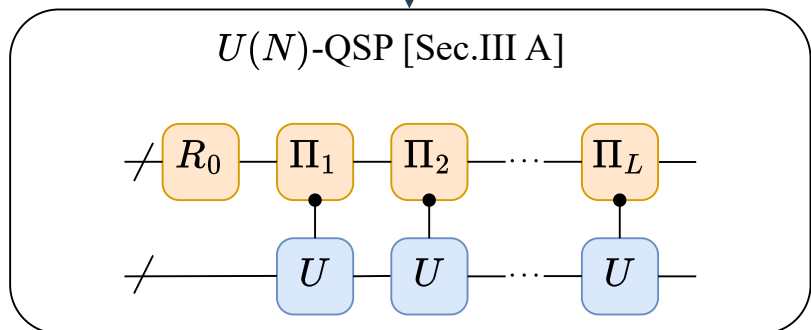


Known Results

Our Work



Discussion about potential application in multi-variate QSP [Sec.V]

Asymptotically Optimal Quantum Amplitude Estimation [Sec.IV]